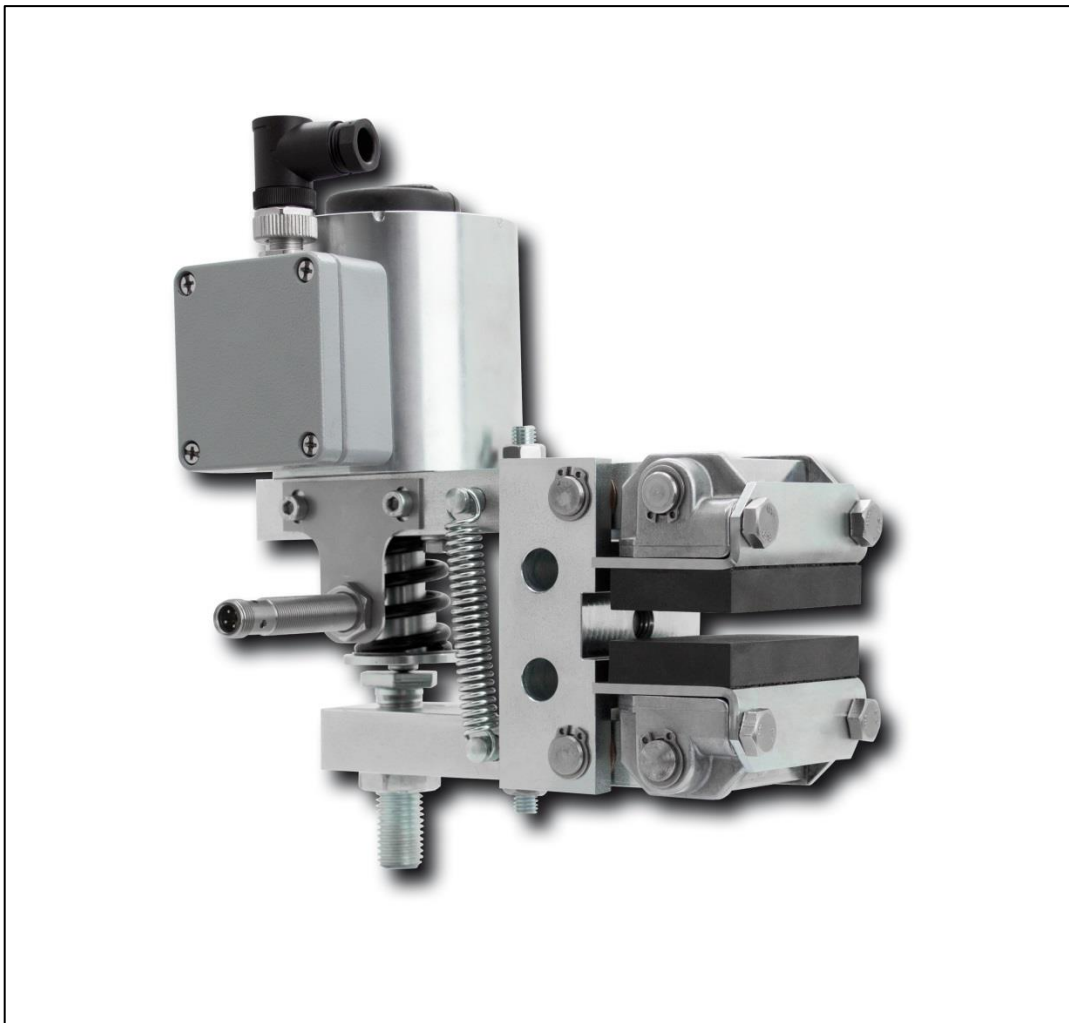


**Installation and Operating Instructions for
Brake Caliper DH 012 FEM**

E 09.766e



RINGSPANN GmbH

Schaberweg 30-34
61348 Bad Homburg
Germany

Telephone +49 6172 275-0
Telefax +49 6172 275-275

www.ringspann.com
mailbox@ringspann.com

RINGSPANN	Installation and Operating Instructions for Brake Caliper DH 012 FEM, cCSAus spring activated – electromagnetic released	E 09.766e			
Issue: 20.03.2019	Version : 1	drawn:MAYA	checked: Ei	Pages: 16	Page: 2

Important

Please read these instructions carefully before installing and operating the product. Your particular attention is drawn to the notes on safety.

These installation and operating instructions are valid on condition that the product meets the selection criteria for its proper use. Selection and design of the product is not the subject of these installation and operating instructions.

Disregarding or misinterpreting these installation and operating instructions invalidates any product liability or warranty by RINGSPANN; the same applies if the product is taken apart or changed.

These installation and operating instructions should be kept in a safe place and should accompany the product if it is passed on to others – either on its own or as part of a machine – to make it accessible to the user.

Safety Notice

- Installation and operation of this product should only be carried out by skilled personnel.
- Repairs may only be carried out by the manufacturer or accredited RINGSPANN agents.
- If a malfunction is indicated, the product or the machine into which it is installed should be stopped immediately and either RINGSPANN or an accredited RINGSPANN agent should be informed.
- Switch off the power supply before commencing work on electrical components.
- Rotating machine elements must be protected by the purchaser to prevent accidental contact.
- Supplies abroad are subject to the safety laws prevailing in those countries.

<p>This is a translation of the German original version!</p> <p>In case of inconsistencies between the German and English version of this installation and operating instruction, the German version shall prevail.</p>
--

RINGSPANN	Installation and Operating Instructions for Brake Caliper DH 012 FEM, cCSAus spring activated – electromagnetic released			E 09.766e	
Issue: 20.03.2019	Version : 1	drawn:MAYA	checked: Ei	Pages: 16	Page: 3

Contents

1 General information

- 1.1 Safety information
- 1.2 Special safety information

2 Configuration, mode of operation, standards and parts list

- 2.1 Function
- 2.2 Identification
- 2.3 Standards, guidelines, protection class and certifications
- 2.4 Drawing and parts list

3 Intended use

4 Impermissible use

5 Condition as delivered

6 Handling and storage

7 Technical requirements for safe operation

8 Installing the RINGSPANN brake

- 8.1 General instructions regarding assembly and installation
- 8.2 Installation instructions
- 8.3 Electrical connection of the brake caliper
- 8.4 Adjustment / readjustment of the friction block distance
- 8.5 Electrical connection for the inductive proximity switch (option)
- 8.6 Connecting the signal cable of the friction block (option)

9 Commissioning

10 Disassembling the brake

11 Maintenance

- 11.1 General maintenance
- 11.2 Permissible brake pad wear and replacement of the brake pads
- 11.3 Emergency release

12 EC-Declaration of Conformity

RINGSPANN	Installation and Operating Instructions for Brake Caliper DH 012 FEM, cCSAus spring activated – electromagnetic released			E 09.766e	
Issue: 20.03.2019	Version : 1	drawn:MAYA	checked: Ei	Pages: 16	Page: 4

1. General information

1.1 General safety instructions

Read these installation and operating instructions carefully before putting the brake into operation. Consider these instructions as well as the drawings in the individual sections.

All work with and on the brake is to be carried out taking into account that "safety is top priority".

Switch the drive unit off before carrying out work on the brake.

Rotating parts (e.g. brake disc) must be secured by the operator against unintentional touching.

1.2 Special safety instructions



Life-threatening danger!

When assembling, operating and maintaining the brake it is to be ensured that the entire drive train is secured against being switched on unintentionally. Moving parts can cause severe injury. Rotating parts (e.g. brake disc) must be secured by the operator against unintentional touching.

2. Configuration, mode of operation, standards and parts list

2.1 Function

The brake is a machine element with which accelerated masses can be safely slowed down. In combination with a brake disc, you have a complete brake for the effective safeguarding of machines and systems. Thanks to its universal design, it fulfils the following functions:

- As a holding brake, it prevents a stationary shaft from starting unintentionally.
- As a stopping brake, it brings a rotating shaft to a halt.
- As a control brake, it maintains a particular tensile force within the material.

The brake force is generated by a spring (5) and the brake is released by means of an electromagnet (1). If the friction blocks (2) are worn out, the holding or braking torque decreases as the spring preload is reduced.

2.2 Identification

These installation and operating instructions are valid for:




- the DH 012 FEM with left-mounted electromagnet as shown in Fig. 2.1, for mounting on a 12.5 mm thick brake disc.
- the DH 012 FEM with right-mounted electromagnet.
- various types of brake-pads, e.g. with wear alarm cable, increased friction speed, double friction surface or other special brake pad materials.

RINGSPANN	Installation and Operating Instructions for Brake Caliper DH 012 FEM, cCSAus spring activated – electromagnetic released			E 09.766e	
	Issue: 20.03.2019	Version : 1	drawn:MAYA	checked: Ei	Pages: 16 Page: 5




- supply voltage 230 .. 240V AC50/60Hz and 110 .. 120VAC 50/60Hz
- with manual spring force adjustment and special frames
- with plug combination and cable gland for connecting the supply voltage

There is a type plate on the brake with a 16-digit part number. The exact design of the brake is defined by this article number only.

Identification:

RINGSPANN ® www.ringspann.com	
Part number	Production date
Brake designation	
Nominal voltage / -frequency/ -power/ -current T _A cover electronic box	
	
	Type 3R 

Example:

RINGSPANN ® www.ringspann.com	
4457-120515-000000	N33
Brake DH 012 FEM-450R-12	
230..240V AC-50/60Hz / 10W / 0,6A T _A = 2 Nm	
	
	Type 3R 

As well as these instructions, please also consider the catalogue data for the brake at www.ringspann.com and the drawings in the individual sections.

2.3 Standards, guidelines, protection class and certifications

The following standards and guidelines have been applied:

DIN VDE 0580	Electromagnetic devices and components – General specifications.
2014/35/EU	Low-Voltage Directive
DIN EN 61000-6-2	EMC – Immunity to interference in industrial areas
CSA C22.2 No. 14-13	Industrial Control Equipment
UL 508	Industrial Control Equipment

Electrical protection class: IP65

Mechanical protection class: IP10



In the sense of the Low-Voltage Directive 2014/35/EU.



Complies with Canadian and US American standards.

Enclosure type 3R“.

2.4 Drawing and parts list

Brake DH 012 FEM Standard with proximity switch (Specials see appendix).

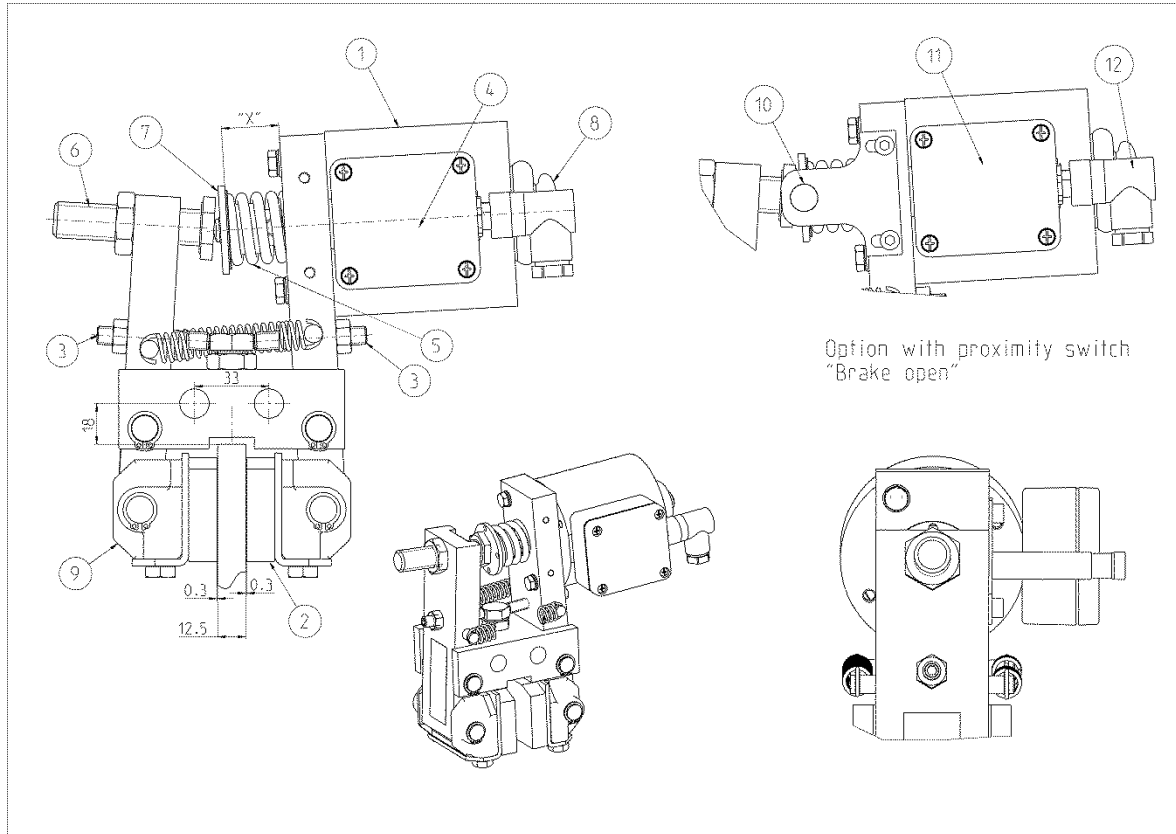


Fig. 2.1

Parts list:

Part	Designation	Quantity
1	Electromagnet DH12FEM	1
2	Friction block	1
3	Set screw M8x50 (DIN913)	2
4	Electronic box	1
5	Spring	1
6	Screw M16x60	1
7	Sleeve DH012FEM	1
8	Rubber cap	2
9	Swivel piece	1
10	Proximity switch with fixture	optional
11	Electronic board	1
12	Connector for supply voltage	1

RINGSPANN	Installation and Operating Instructions for Brake Caliper DH 012 FEM, cCSAus spring activated – electromagnetic released			E 09.766e	
	Issue: 20.03.2019	Version : 1	drawn:MAYA	checked: Ei	Pages: 16 Page: 7

3. Intended use

The brake has been designed for use as a holding, control and stopping brake. Use for any other purpose will be deemed improper.

4. Impermissible use

The brake must not be operated with a voltage higher than the value specified in the technical data or with other media. In addition, unauthorized structural changes to the brake are not permitted. RINGSPANN shall not be liable for any damage resulting from this; the user alone bears the risk of such damage.

5. Condition as delivered

When delivered, the brake has a clamping gap of approx. 8.0 mm between the friction blocks. When the electromagnet is actuated, the brake opens to the preset clamping gap of 13.1 mm = brake disc thickness 12.5 mm and an air gap of 0.3 mm on both sides between the brake disc and the friction blocks.

6. Handling and storage

The brake weighs between 7 kg and 10 kg, depending on the version.

The brake is delivered preserved and can be stored in a closed, dry place for 12 months. Make sure that no condensation occurs. Humid storage rooms are unsuitable. If the brake is stored for a longer period than 12 months, as well as after each transport, the brake must be applied once to prevent the seals and wipers from sticking together.

7. Technical requirements for safe operation

Fastening the brake to stable and low-vibration machine parts will ensure quiet braking without squeak.

8. Installing the RINGSPANN brake

8.1 General instructions regarding assembly and installation

Before installing the brake, the brake disc must be cleaned with alcohol (e.g. spirit (ethanol) or isopropyl alcohol) or with water-based tenside solutions (soapy water or the like).

If cleaning the brake disc with a diluent, acetone or brake cleaning agent, it must be ensured that these agents and no residues of these agents come into direct contact with the friction blocks. This must be ensured for pure holding brakes in particular, since no dynamic braking takes place that would remove any diluent residues from the brake disc.



Important!

Residues from oil and anti-rust agent considerably reduce the coefficient of friction and thus also the braking and holding torque!

8.2 Installation instructions

The standard brake calliper is attached to the machine part with two M12 - 8.8 screws.
(The screws are not included in the scope of delivery)



Caution! Danger of injury!

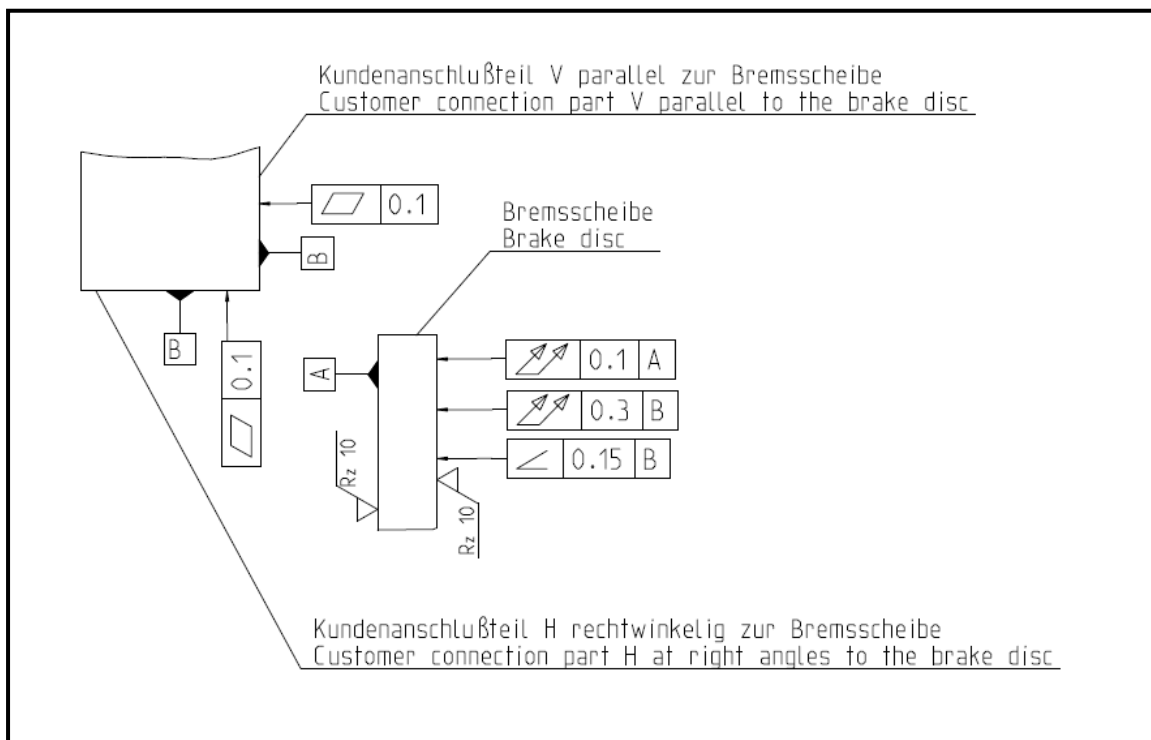
When the brake calliper is released, the spring (5) is pretensioned. In the event that the electromagnet is not constantly supplied with the correct power supply, parts of the brake can suddenly move relative to each other!

Before assembly, check whether the mounting surface is level and the radial run-out between the brake disc and mounting surface is within a tolerance of 0.3 mm.

Check that the permissible parallelism of 0.2 mm between the brake disc and the mounting surface is not exceeded.

Check the axial movement of the brake disc. The axial movement shall not exceed $\pm 0,3$ mm.

The maximum permissible lateral run-out of the brake disc is 0.1 mm. A greater lateral run-out can cause the brake unit to rattle and shake.



The connecting plate for the brake as well as the brake disc must be checked for dimensional accuracy. For this purpose, the connection dimensions shown on the catalogue data sheet or installation drawing are to be checked.

During installation, it is essential to ensure that brake pads are centred and in full contact with the brake disc (the midlines of the brake lever must point to the midpoint of the brake disc.).

RINGSPANN	Installation and Operating Instructions for Brake Caliper DH 012 FEM, cCSAus spring activated – electromagnetic released			E 09.766e	
Issue: 20.03.2019	Version : 1	drawn: MAYA	checked: Ei	Pages: 16	Page: 9

Preparation for installation

Before mounting on the 12.5 mm thick brake disc, the brake must be released (opened). This is possible:

- with the aid of the electromagnet, provided that it is already connected to a power source (see Section 8.5)
- mechanically, by loosening the lock nut and turning the screw (6) clockwise into the lever and thus increasing the clamping gap between the friction blocks.



Important!

Check whether the brake disc can rotate freely.



Important!

If you have loosened the screw (6) for installation, you must carry out all steps 8.4 for a fully functional brake calliper after installation!

8.3 Electrical connection of the brake caliper



Caution! Danger of damage!

Before connecting the brake caliper to the power supply, check that your power supply corresponds to the specifications for rated voltage and mains frequency on the nameplate. In case of deviations, never connect the brake caliper, as otherwise the electronics or electromagnet of the brake caliper will be destroyed.

Nominal voltage: 110 .. 120 VAC or 230 .. 240 VAC depending on the electromagnet, 50/60 Hz, single-phase.

Line protection : 6 A, **has to be ensured by the user!**

When switched on, currents of up to 3 A occur for 0,7s. After that the current is about 0,6 A.

The brake caliper is actuated by switching the supply voltage on and off.

On the electronics there is a free-wheeling diode which suppresses a switch-off overvoltage when the supply voltage is switched off.

A transformer may be used for voltage reduction if its power rating is at least 0.3 kVA.

There are two ways to connect the supply voltage:

Cable gland:

Outer diameter of the connection cable: 5 ... 10 mm.
Supply cable : 0,5 ... 1,0 mm² (AWG 20 - 18), fine wire

Pass the cable through the cable gland and connect the wires L, N, PE according to figure 8.1.
The connections L and N can be swapped. Tightening torque of the connector screw is 6 lb-in.

To achieve the protection rating 3R or IP65 you have to consider the tightening torques:

Domed cap nut of the gland: 8-10 Nm
Screws for the housing cover of the electronics = 2Nm.

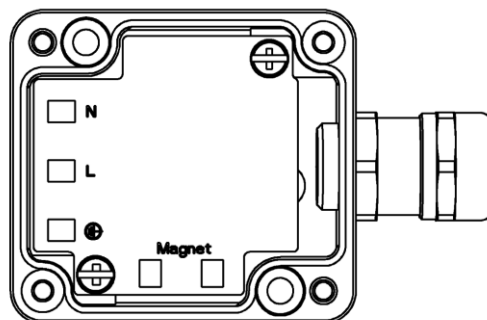


Fig. 8.1

Connector combination:

Female angled connector, part no.: 9904305204 (binder)
Male panel mount connector, part no.: 7602310011000040200 (binder)

Please also observe the installation instructions of the company binder (www.binder-connector.com).

Outer diameter of the connecting cable: 6... 8 mm.
Supply cable: 0,5 ... 1,0 mm² (AWG 20 - 18), fine wire

Pass the cable through the cable gland and connect the wires L, N, PE according to figure 8.2.
The connections L and N can be swapped. Glue the female insert with the angled housing.

To achieve the protection rating 3R or IP65 you have to consider the tightening torque:

Strain relieve: 1Nm
Threaded ring (metal): 0,6 Nm (“finger-tight”)

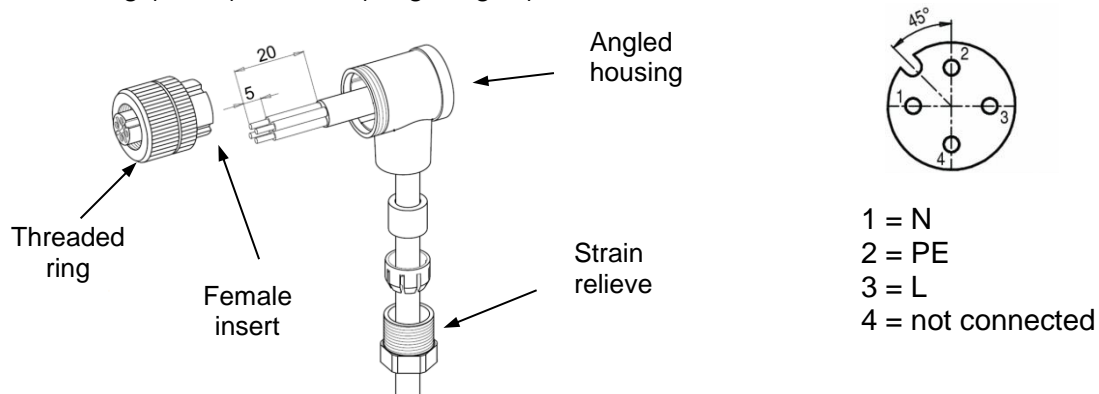


Fig. 8.2

RINGSPANN	Installation and Operating Instructions for Brake Caliper DH 012 FEM, cCSAus spring activated – electromagnetic released			E 09.766e
Issue: 20.03.2019	Version : 1	drawn:MAYA	checked: Ei	Pages: 16 Page: 11

8.4 Adjustment / readjustment of the friction block distance

The friction block distance is adjusted after mounting the brake caliper by adjusting / readjusting with the adjusting screw (3). The distance between the friction blocks and the brake disc on both sides should be approx. 0.3 mm when new. If the friction blocks wear out, brake force must be adjusted. When reaching a dimension of "X" = 27 mm (see figure 2.1) at the latest, brake force adjustment and adjustment of the friction blocks must be carried out.



Attention!

Before commissioning, the air gap must be set to 0.3 mm on both sides!



Caution! Danger of injury!

When the brake caliper is released, the spring (5) is pretensioned. In the event that the electromagnet is not constantly supplied with the correct power supply, parts of the brake can suddenly move relative to each other!

Proceed as follows:

Release the brake by switching on the supply voltage.

Press a friction block (2) against the brake disc and tighten the screw (6) against the tip of the spring guide until the desired total clearance (maximum 0.6 mm) is reached on the other friction block (2). Lock the screw (6) with the lock nut.



Tip!

The adjustable minimum clearance depends on the lateral run-out of the brake disc. The lower the clearance, the greater the wear reserve before the brake caliper has to be adjusted.

Depending on the position of the brake caliper and the brake disc axle, the laterally mounted electromagnet can generate a tilting torque, which causes an uneven air gap between the two friction blocks and the brake disc. In extreme cases, a friction block can even come into contact with the brake disc and the entire clearance is set at the opposite friction block. The result would be a constant rubbing of this friction block during operation. The air gap can be evenly adjusted by means of the set screws (3). Determine which friction block has the larger air gap. Turn the set screw on the lever clockwise and adjust an even air gap of 0.2 - 0.3 mm on both sides.



Important:

It must be ensured that the friction blocks (2) do not rub against the brake disc when the brake caliper is open.

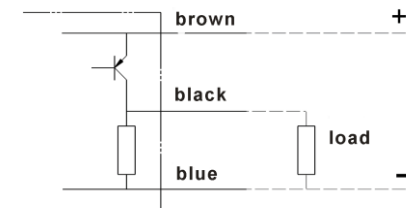
If the power supply of the brake is switched off, the full braking torque (holding torque) is available.

RINGSPANN	Installation and Operating Instructions for Brake Caliper DH 012 FEM, cCSAus spring activated – electromagnetic released			E 09.766e	
	Issue: 20.03.2019	Version : 1	drawn: MAYA	checked: Ei	Pages: 16 Page: 12

8.5 Electrical connection of inductive proximity switch (option)

Switching function	: PNP (closer)	Switching distance	: 2 mm flush-mountable
Operating voltage	: 10...35 V DC	Max. op. current	: 0...200 mA
Voltage drop	: < or = 1.5 V	Polarity reversal-resistant	: yes
Temp. range	: -25 to +80°C	Safety class	: IP 67
Connection	: 2 m PVC cable	Housing	: M12x1 V4A

Fig. Circuit diagram, PNP technology



The proximity switch (10) is arranged in such a way that it is damped by the sleeve when the plunger of the powered electromagnet is attracted (brake caliper is open) and the LED lights up. If the electromagnet is powerless, the brake caliper closes and the spring guide bush moves out of the field of the inductive proximity switch. It is no longer damped, the LED goes out.

Procedure for installing or replacing the proximity switch:

The following instructions apply to the proximity switch listed above, with 2-mm switching distance.

- To prevent the connecting cable from twisting, mount the proximity switch before making the electrical connection.
- With the electromagnet switched on, turn the proximity switch (10) into the bore of the holding plate until it touches the spring guide bushing. From this position, carefully turn the proximity switch counter clockwise by approx. one half to one full turn. Secure this position with the lock nut. Connect the proximity switch, the encoder's LED should light up. Test the correct functioning of the brake calliper by operating it several times. When the brake calliper is actuated, the LED must react safely and regularly (light).

8.6 Connecting the signal cable of the friction block (option)

Connect the signal cable to a 24V control voltage, e. g. via a signal lamp. If the maximum permissible friction lining abrasion limit is reached, contact to the neutral conductor is made and the signal lamp lights up.

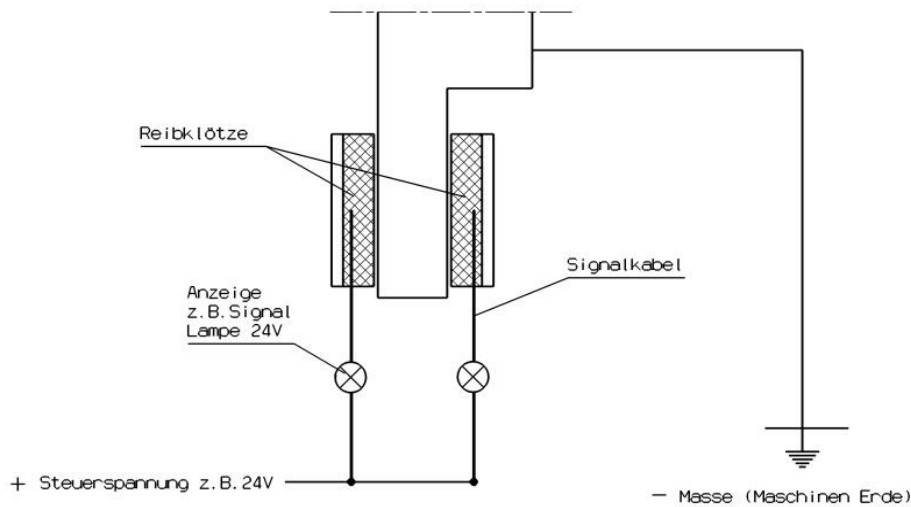


Bild 8.3

9. Commissioning

Only full-face contact of the two friction blocks (2) on the brake disc as well as a rapid heating of the friction linings to approx. 200°C will ensure an optimal braking effect. It is therefore necessary to brake several times and for a short duration when the brake disc is rotating. This process is finished when the friction surface shows a contact pattern of at least 70 to 80%.



Important!

If the brakes are used as holding brakes, then the braking torques indicated in the catalogue will not be reached. Reductions of up to 50% of the braking torque are possible.



Important!

If a running-in process is not possible, the braking torques specified in our brochure 46 will not be reached. Reductions of up to 50% are possible.

RINGSPANN	Installation and Operating Instructions for Brake Caliper DH 012 FEM, cCSAus spring activated – electromagnetic released			E 09.766e	
	Issue: 20.03.2019	Version : 1	drawn:MAYA	checked: Ei	Pages: 16 Page: 14

10. Disassembling the brake



Life-threatening danger!

When disassembling the brake it is to be ensured that the entire drive train is secured against being switched on unintentionally. Rotating parts can cause severe injury. Rotating parts (e.g. brake disc) must be secured by the operator against unintentional touching.



Important!

Make sure that no electrical voltage is applied to the brake caliper.

Open the brake caliper mechanically by loosening the lock nut and screwing the screw (6) into the lever by turning it clockwise. Turn the screw into the lever until you can move the friction blocks on the brake disc.

Remove the two screws M12 - 8.8 which serve to fix the brake. The brake caliper can now be removed from the mounting surfaces.

11. Maintenance

11.1 General maintenance

The brake caliper must be serviced at intervals of 4 to 12 weeks, depending on the application.

The following points must be checked during maintenance:

- Check the friction blocks for wear.
- Check that the friction blocks do not rub against the brake disc when the brake caliper is released, or that there is an even air gap of approx. 0.3 mm on both sides.
- Check the screw connection of the brake caliper to the machine part and the screw connection of the friction blocks for tight screw connection.
- Check the screw connection and the tight fit of the inductive proximity switch (optional).
- Check the screw connection of the electromagnet to the brake caliper lever.
- Check both brake caliper levers for easy moving.
- Clean the bearing and sliding points.
- Check the electrical wiring and connections.



Important!

The friction linings (2) must not come into contact with lubricant!

RINGSPANN	Installation and Operating Instructions for Brake Caliper DH 012 FEM, cCSAus spring activated – electromagnetic released			E 09.766e	
	Issue: 20.03.2019	Version : 1	drawn:MAYA	checked: Ei	Pages: 16 Page: 15

11.2 Permissible friction lining wear and replacement of the friction blocks



Life-threatening danger!

Friction blocks may only be changed when the system or the work machine is stationary!



Important!

When new, the friction lining has a thickness of 12.5 mm. After 4.5 mm of wear or a residual lining thickness of 8 mm, the friction blocks must always be replaced in pairs.
Only original RINGSPANN friction blocks may be used.



Important!

Before replacing the friction blocks, make sure that the mass held by the brake is secured against movement, as the brake must be released (opened) to change the friction blocks.



Important!

Make sure that no electrical voltage is applied to the brake caliper.

Turn the screw (6) into the thread of the brake lever and the two set screws (3) back into the lever so far that you can easily change the friction blocks.

After changing the friction block, you must readjust the braking torque as described in item 8.4.

Finally, the new friction linings must be applied by braking briefly several times so that the brake can achieve the required braking torque (see chapter 9).

11.3 Emergency release

Open the brake caliper manually by loosening the lock nut and screwing the screw (6) into the lever by turning it clockwise. Turn the screw into the lever until you can move the friction blocks on the brake disc.

RINGSPANN	Installation and Operating Instructions for Brake Caliper DH 012 FEM, cCSAus spring activated – electromagnetic released			E 09.766e	
	Issue: 20.03.2019	Version : 1	drawn:MAYA	checked: Ei	Pages: 16 Page: 16

12. EC-Declaration of Conformity

Note regarding EMC Directive 2014/30/EU

The brake is an uncritical equipment according to the EMC-Directive because of its passive operation. The brake can not be operated independently. After integration into a complete system, the brake can be evaluated according to EMC-Directive. To comply with DIN EN 61000-6-4, the mounting of a line filter is required as a general rule.

Note regarding EC-Machinery Directive 2009/42/EC

The product is a component for installation in a machine according to the EC-Machinery Directive 2009/42/EC. Together with other components, the product can meet safety-related applications. The necessary measures will emerge from the risk analysis of the machine. Built-in, the brake is part of the machine and the machine manufacturer assesses the conformity of the safety device on the Machinery Directive. The commissioning of the brake is only permitted if the machine fulfills the Machine Directive.

EC-Declaration of Conformity

We hereby declare that the following products are developed, designed and manufactured by our own responsibility.

RINGSPANN GmbH
Schaberweg 30-38
D-61348 Bad Homburg


Product: Electromagnetic released disk brake
Designation: DH012FEM
Sizes: 012
Types: 4457-1205, next digits 15 and higher - followed by 6 digits

Following standards and directives have been applied and complied with:

DIN VDE 0580 Electromagnetic devices and components – General specifications.
2014/35/EU Low-Voltage Directive
DIN EN 61000-6-2 EMC – Immunity to interference in industrial areas
CSA C22.2 No. 14-13 Industrial Control Equipment
UL 508 Industrial Control Equipment

The commissioning of the brake is only permitted when the machine complies with the EC-Machinery Directive 2006/42 / EC.

ppa. Ernst Fritzeimer
RINGSPANN GmbH
Schaberweg 30-38
D-61348 Bad Homburg


Bad Homburg, 26.04.2018