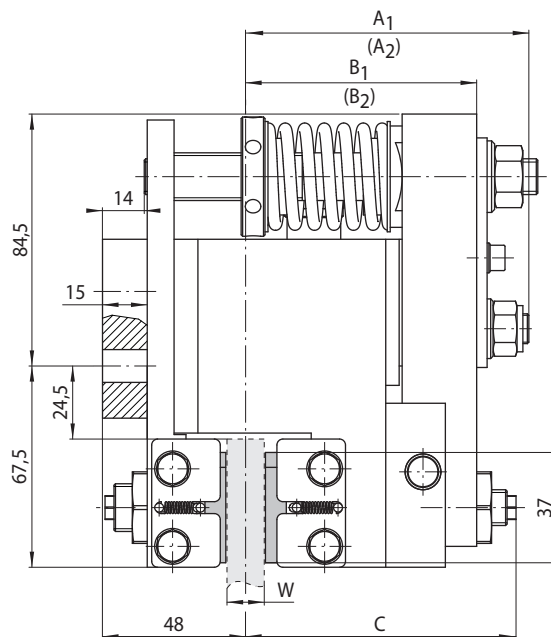
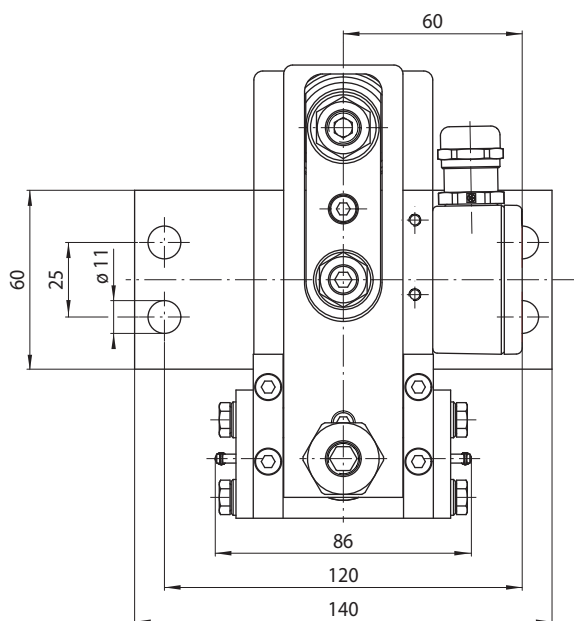




# Brake Calipers EV 018 FEM and EH 018 FEM

spring activated – electromagnetically released

## Brake Caliper EV 018 FEM

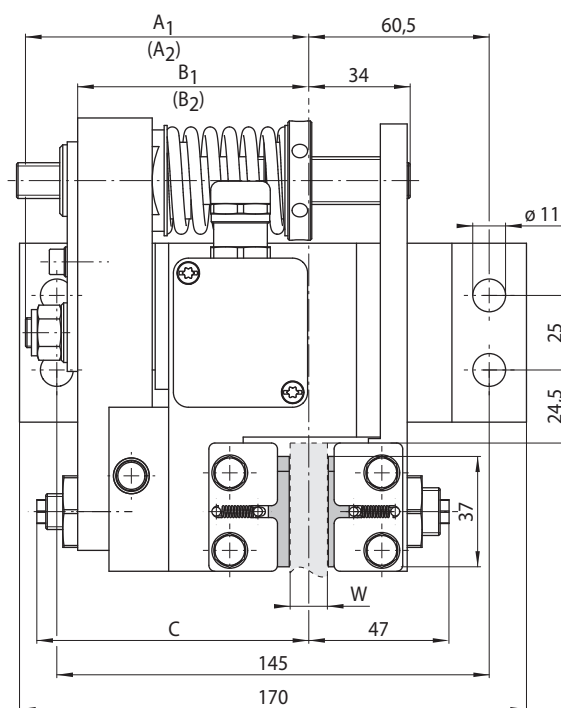
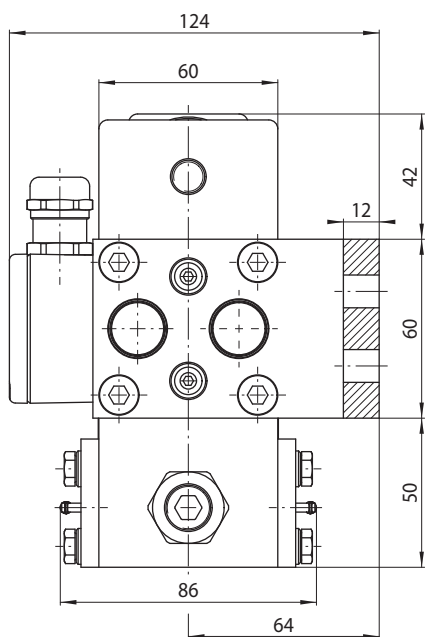


Thickness of brake disc W mm	A <sub>1</sub> mm	(A <sub>2</sub> ) mm	B <sub>1</sub> mm	(B <sub>2</sub> ) mm	C mm
8 ... 15	97	(108)	76,5	(95)	90
16 ... 20	99	(110)	78,5	(97)	94

Values in brackets resulting with friction block wear.

49-1

## Brake Caliper EH 018 FEM



Thickness of brake disc W mm	A <sub>1</sub> mm	(A <sub>2</sub> ) mm	B <sub>1</sub> mm	(B <sub>2</sub> ) mm	C mm
8 ... 15	97	(108)	76,5	(95)	90
16 ... 20	99	(110)	78,5	(97)	94

Values in brackets resulting with friction block wear.

49-2