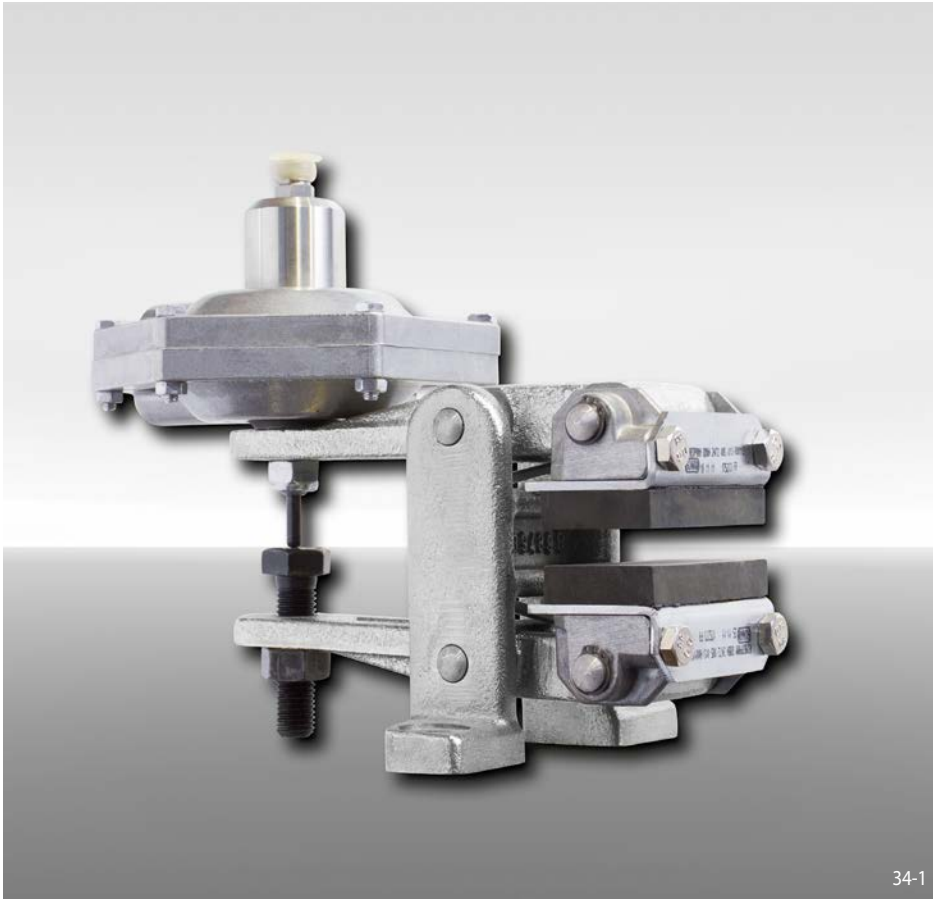


# Brake Caliper DV 020 FHM

spring activated – hydraulically released



34-1

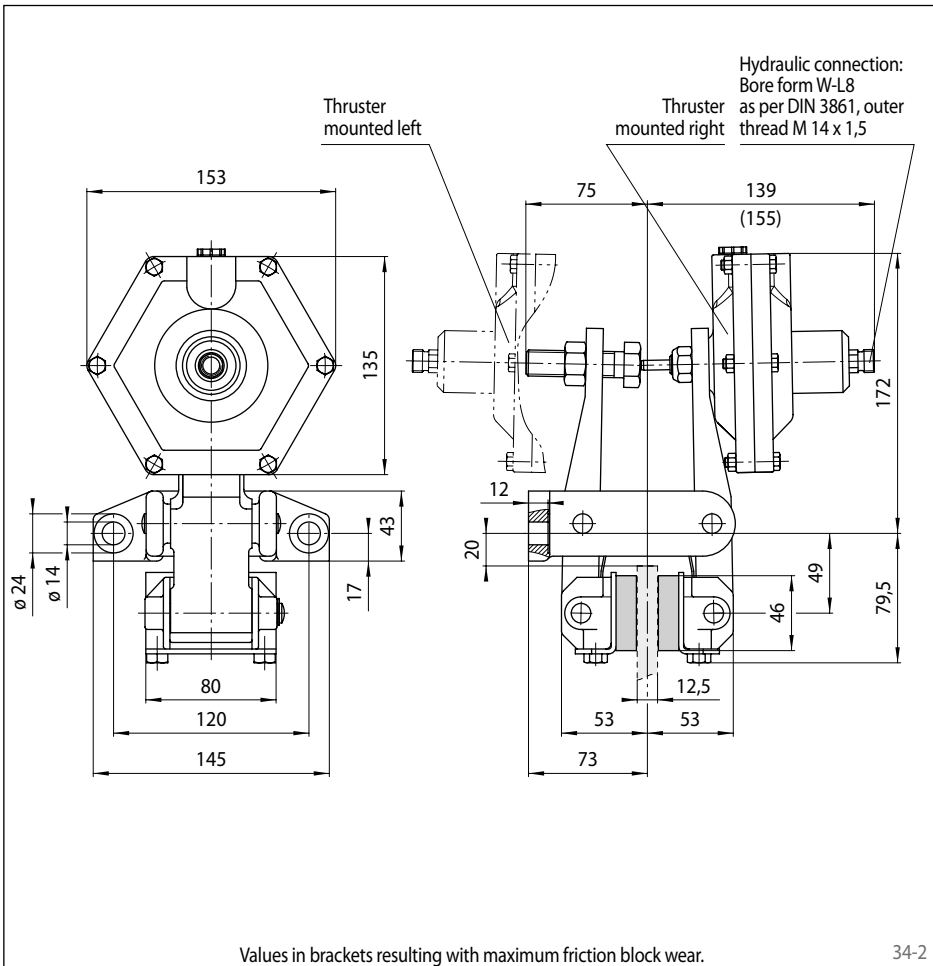
## Features

Features	Code
Brake Caliper	D
Mounting to the machine parallel to the brake disc	V
Frame size 020	020
Spring activated	F
Hydraulically released	H
Manual adjustment to accommodate friction block wear	M
Thruster 210	210
Thruster mounted right or left available	R L
Thickness of brake disc 12,5 mm	12

## Example for ordering

Brake Caliper DV 032 FHM, thruster 210, thruster mounted right, thickness of brake disc 12,5 mm:

DV 020 FHM - 210 R - 12



34-2

## Technical Data

Brake Caliper DV 020 FHM with thruster 210	
Brake disc diameter	Braking torque
mm	Nm
200	200
250	270
300	340
355	420
430	520
520	650
Clamping force	3500 N
Oil pressure	min. 65 bar max. 100 bar
Oil volume	max. 2,5 cm <sup>3</sup>
Weight	5,4 kg

The braking torques shown in the diagram are based on a theoretical friction coefficient of 0,4.