

Brake Caliper DT 200 FEA ... ST

spring activated – electrohydraulically released
Drum Brake according to DIN 15 435



Features	Code
Brake Caliper	D
Drum Brake	T
Frame size 200	200
Spring activated	F
Electrohydraulically released	E
Automatic adjustment to accommodate friction block wear	A
Thrusters 451 or 452 are available	451 452
Material: steel	ST

Example for ordering

Brake Caliper DT 200 FEA, thruster 452, material: steel

DT 200 FEA - 452 - ST

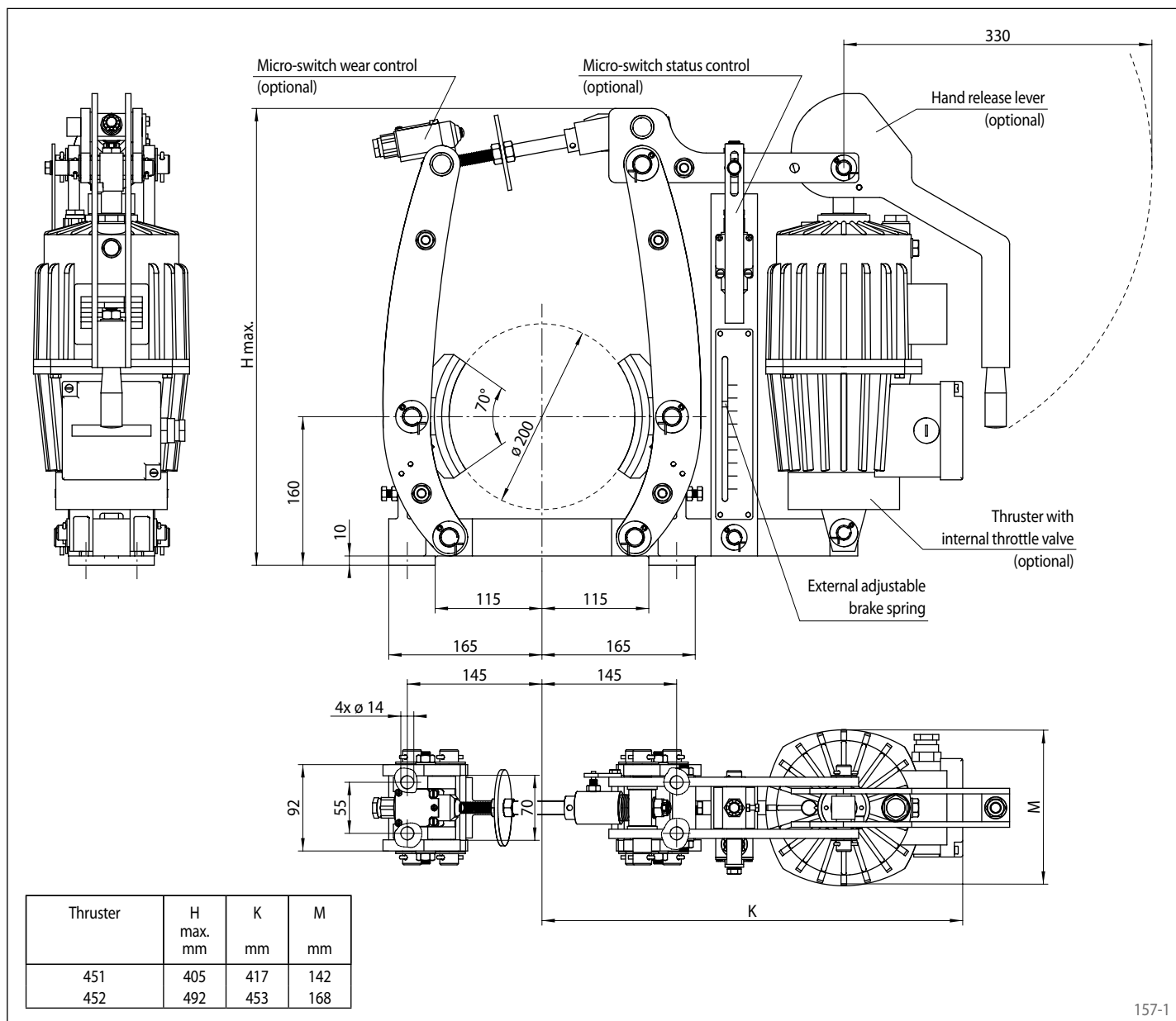
Technical Data

	Brake Caliper DT 200 FEA ... ST	
	with thruster 451	with thruster 452
Brake drum diameter	Braking torque	Braking torque
mm	Nm	Nm
200	250	330
Clamping force	3 125 N	4 125 N
Braking torque adjustable (optional)	20 - 100%	20 - 100%
Nominal power	130 W	180 W
Oil volume	1,4 l	2,5 l
Voltage	230/400 V	230/400 V
Weight	32 kg	37 kg

The braking torques shown in the table are based on a theoretical friction coefficient of 0,4.

Brake Caliper DT 200 FEA ... ST

spring activated – electrohydraulically released
 Drum Brake according to DIN 15 435



157-1

Options

- Micro-switch wear control
- Micro-switch status control
- Hand release lever
- Thruster with internal throttle valve
- Thruster in heat resistant design
- Corrosion protected design
- Wider brake shoes and brake drums