

# Brake Caliper DH 030 FHM

spring activated – hydraulically released



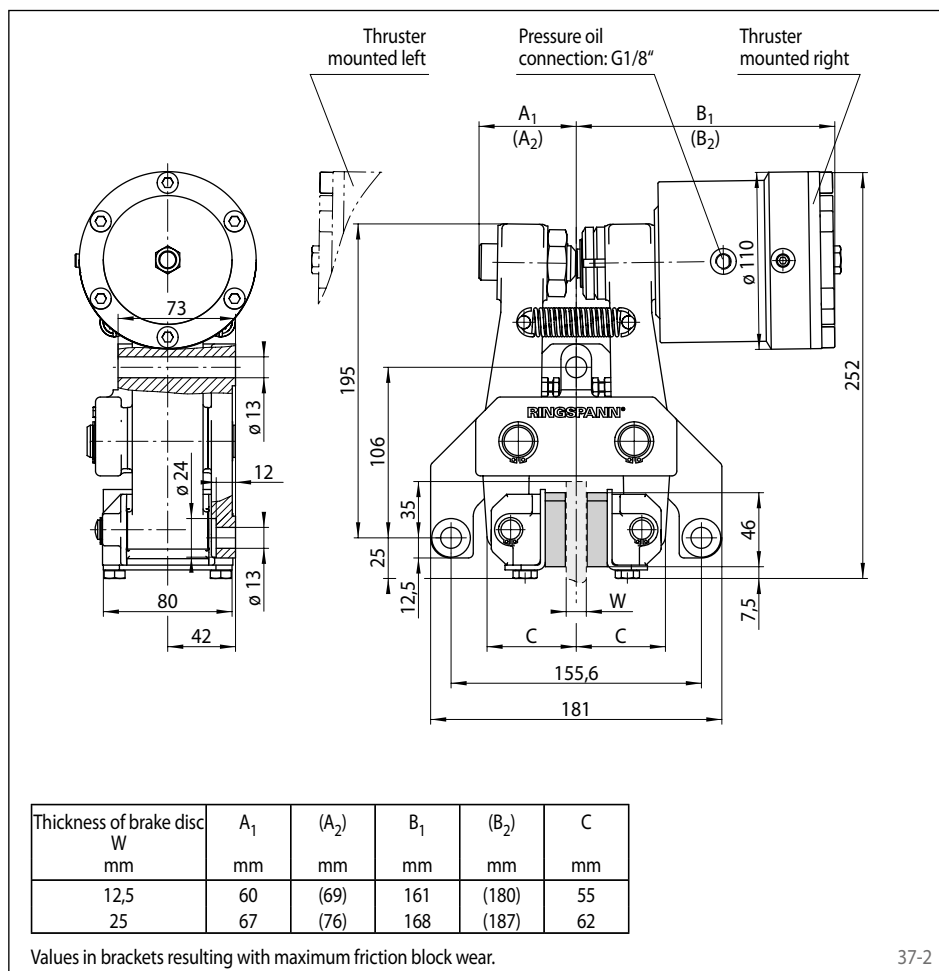
## Features

Features	Code
Brake Caliper	D
Mounting to the machine at right angles to the brake disc	H
Frame size 030	030
Spring activated	F
Hydraulically released	H
Manual adjustment to accommodate friction block wear	M
Thruster 250	250
Thruster mounted right or left available	R L
Thickness of brake disc 12,5 mm or 25 mm	12 25

## Example for ordering

Brake Caliper DH 030 FHM, thruster 250, thruster mounted right, thickness of brake disc 12,5 mm:

DH 030 FHM - 250 R - 12



## Technical Data

Brake Caliper DH 030 FHM with thruster 250	
Brake disc diameter mm	Braking torque Nm
200	620
250	840
300	1100
355	1300
430	1600
520	2000
Clamping force	11000 N
Oil pressure	min. 40 bar max. 120 bar
Oil volume	max. 6 cm <sup>3</sup>
Weight	14,5 kg

The braking torques shown in the diagram are based on a theoretical friction coefficient of 0,4.

37-1

37-2